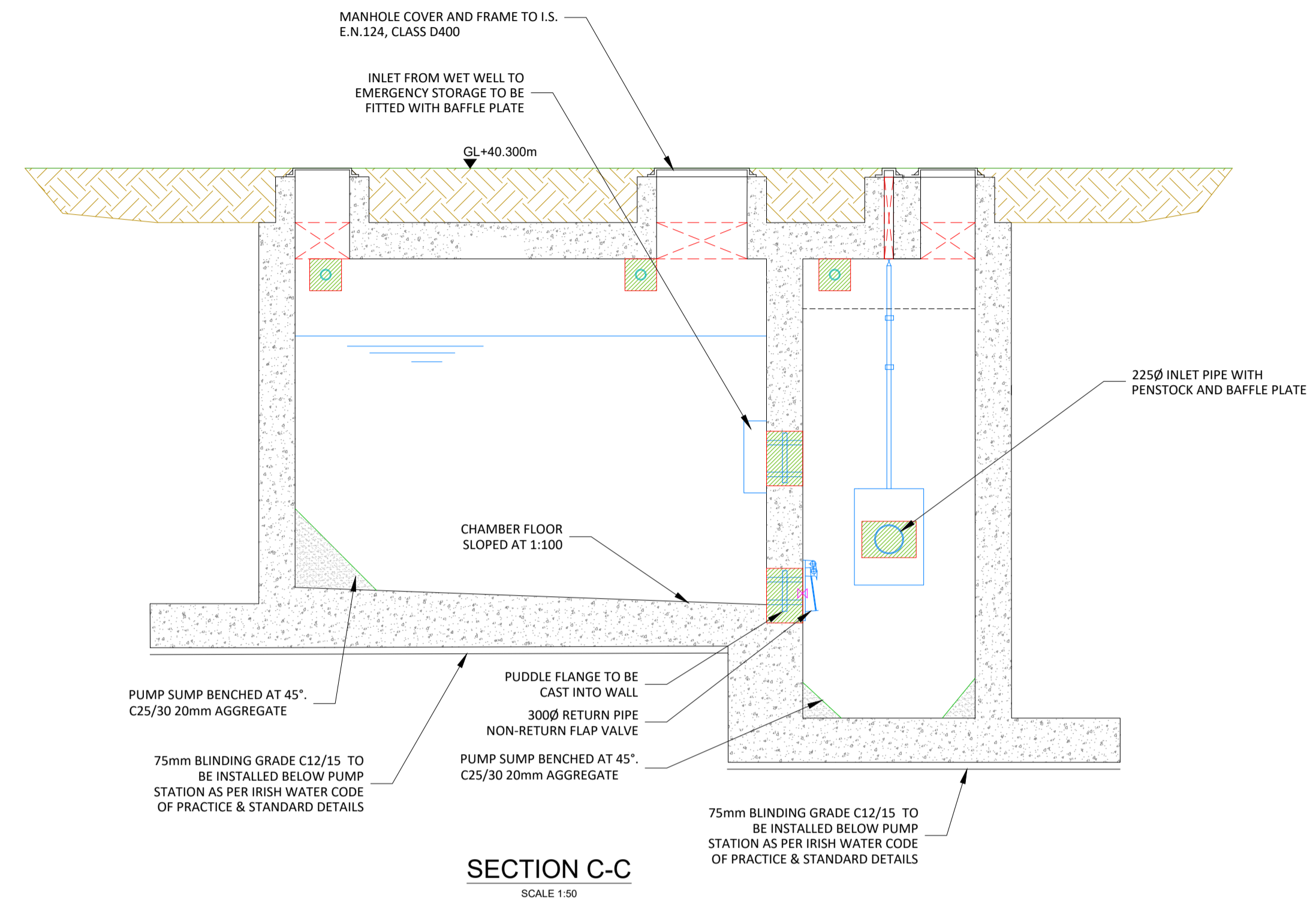
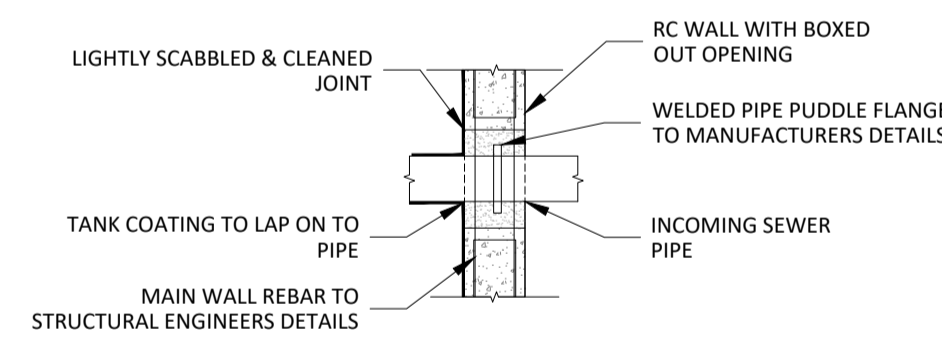


NOTE:
ALL LIDS TO BE CAST AS PART OF UP STANDS ON PUMP STATION ROOF SLAB

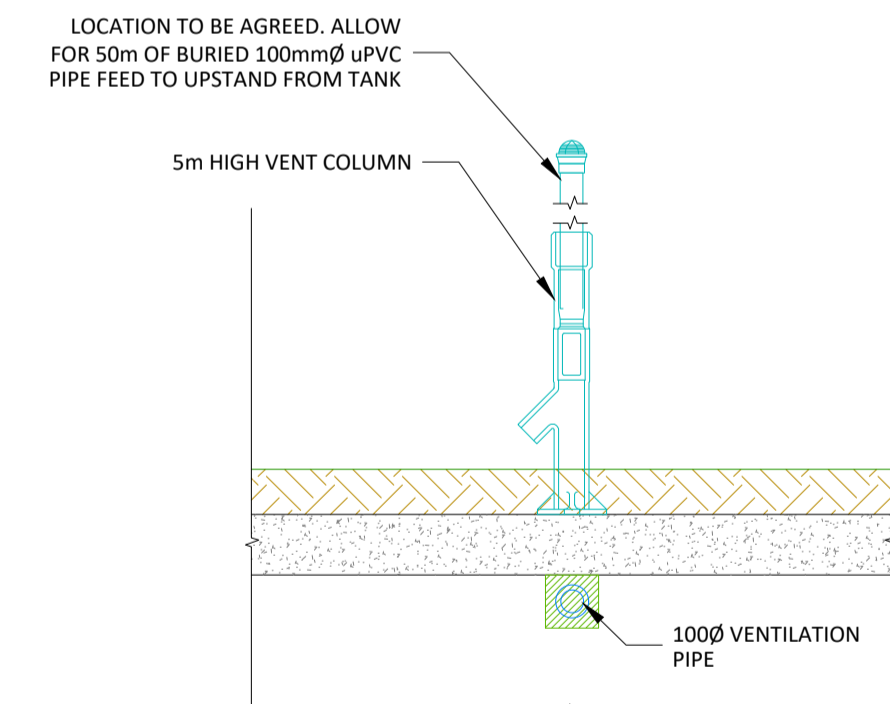
ROOF PLAN
SCALE 1:50



SECTION C-C
SCALE 1:50



TYPICAL PIPE THROUGH STRUCTURE
SCALE 1:50



TYPICAL VENT DETAIL
SCALE 1:50

PLANNING DRAWING.
NOT FOR CONSTRUCTION.
ALL LEVELS GIVEN ARE
RELATIVE TO ORDNANCE DATUM.
THIS DRAWING HAS BEEN ISSUED FOR INFORMATION
PURPOSES ONLY AND MUST NOT BE USED
FOR CONSTRUCTION UNDER ANY CIRCUMSTANCES

ORDNANCE SURVEY OF IRELAND LICENCE NO. EN0000820 © GOVERNMENT OF IRELAND

- FOR SETTING OUT REFER TO ARCHITECT'S DRAWINGS.
- THIS DRAWING TO BE READ IN CONJUNCTION WITH ALL OTHER ARCHITECTURAL AND ENGINEERING DRAWINGS AND ALL OTHER RELEVANT DRAWINGS AND SPECIFICATIONS.
- DO NOT SCALE THIS DRAWING. USE FIGURED DIMENSIONS ONLY.
- NO PART OF THIS DOCUMENT MAY BE REPRODUCED OR TRANSMITTED IN ANY FORM OR STORED IN ANY RETRIEVAL SYSTEM OF ANY NATURE WITHOUT THE WRITTEN PERMISSION OF O'CONNOR SUTTON CRONIN AS COPYRIGHT HOLDER EXCEPT AS AGREED FOR USE ON THE PROJECT FOR WHICH THE DOCUMENT WAS ORIGINALLY ISSUED.

Rev No.	Date	Revision Note	Drn by	Chkd by
P01	13.05.20	SUITABLE FOR REVIEWS/ COMMENTS	AB	MK
C01	19.05.20	STAGE COMPLETE - PLANNING	AB	MK

Rev No.	Date	Revision Note	Drn by	Chkd by



Head Office,
9 Prussia Street,
Dublin 7,
D07 KT57

TEL +353 (0)1 8682000

e: contactus@ocsc.ie
w: www.ocsc.ie

Dublin | London | Belfast | Galway | Cork



Client: CASTLESTAR (ATHLONE) LIMITED
Project: RESIDENTIAL DEVELOPMENT
CORNAMAGH, COOSAN, ATHLONE
Title: PROPOSED WASTERWATER PUMP STATION
GENERAL LAYOUT
SHEET 2 OF 2

Code | Originator | Zone | Level | Type | Role | Number | Status | Revision
B907 · OCSC · XX · XX · DR · C · 0525 | A1 | C01
Date: MAY'20 Scale: SHOWN@ A1 Drn by: AB Chkd by: MK Aprvd by: AMD